

# PLAYCIRCLE®

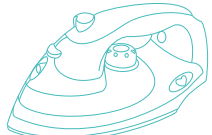
Play the day away!™

## BEST PRESSED IRONING BOARD™

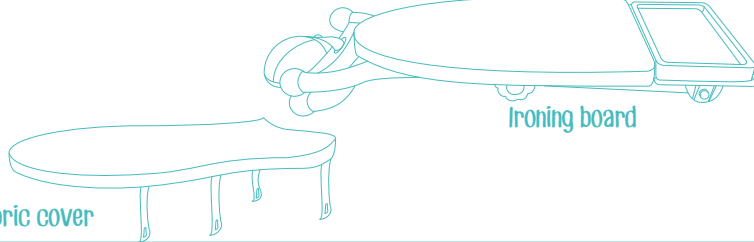


Attention: Make sure the latch is properly engaged before playing. Do not sit on the ironing board.

### Components

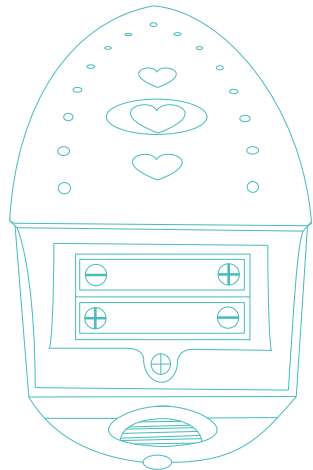


Iron



Ironing board

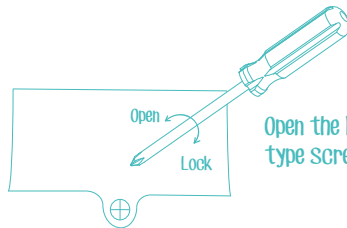
Fabric cover



#### ⚠ CAUTION:

2AAA (1.5v) batteries included

- Do not mix old and new batteries.
- Do not mix alkaline, standard (carbon-zinc), or rechargeable (nickel-cadmium) batteries.



Open the battery door with a Phillips® type screw driver (not included).

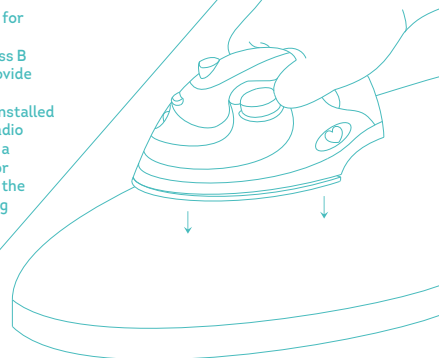
This device complies with Part 15 of the FCC Rules. Operation is subject to the following two conditions: (1) this device may not cause harmful interference, and (2) this device must accept any interference received, including interference that may cause undesired operation.

Caution: changes or modifications not expressly approved by the party responsible for compliance could void the user's authority to operate the equipment.

NOTE: This equipment has been tested and found to comply with the limits for a Class B digital device, pursuant to Part 15 of the FCC Rules. These limits are designed to provide reasonable protection against harmful interference in a residential installation.

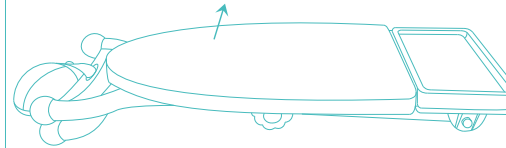
This equipment generates, uses and can radiate radio frequency energy and, if not installed and used in accordance with the instructions, may cause harmful interference to radio communications. However, there is no guarantee that interference will not occur in a particular installation. If this equipment does cause harmful interference to radio or television reception, which can be determined by turning the equipment off and on, the user is encouraged to try to correct the interference by one or more of the following measures:

- Reorient or relocate the receiving antenna.
- Increase the separation between the equipment and receiver.
- Connect the equipment into an outlet on a circuit different from that to which the receiver is connected.
- Consult the dealer or an experienced radio/TV technician for help.

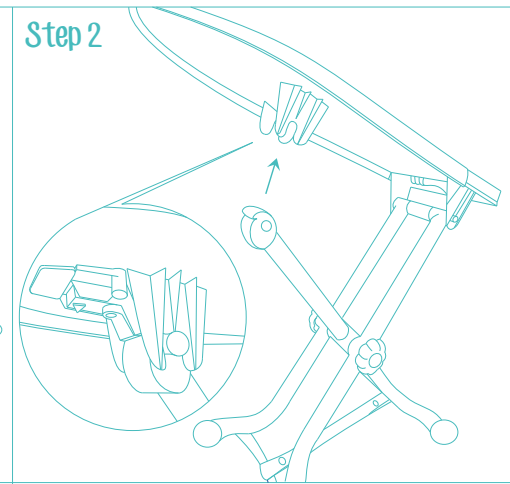


### Step 1

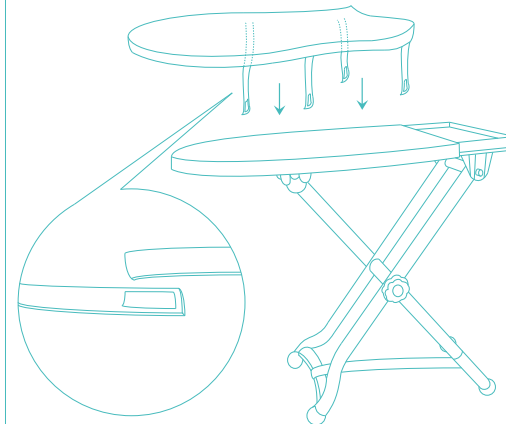
To set up ironing board :



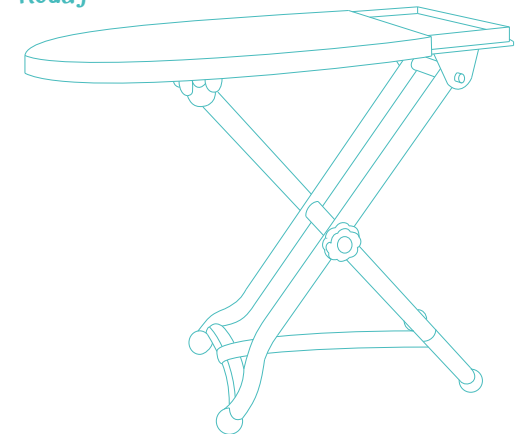
### Step 2



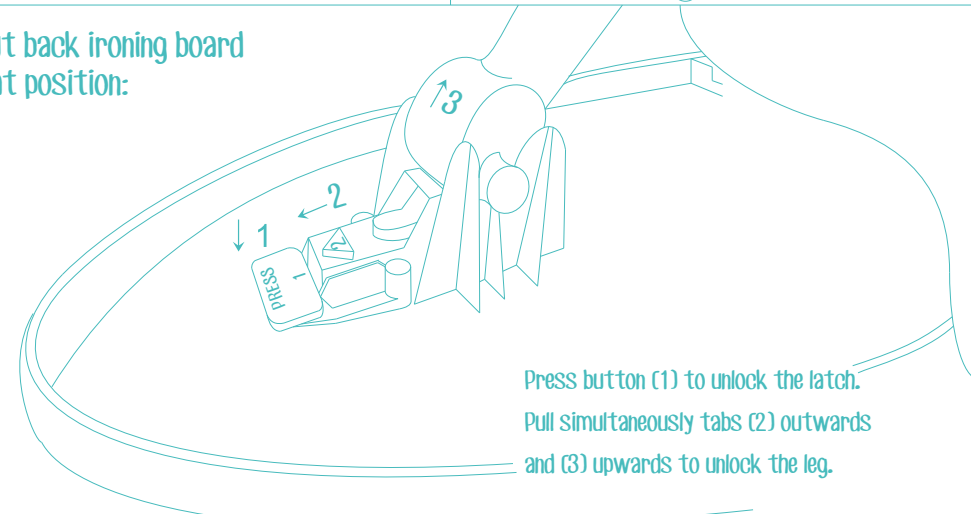
### Step 3



### Ready



To put back ironing board in flat position:



Press button (1) to unlock the latch.  
Pull simultaneously tabs (2) outwards  
and (3) upwards to unlock the leg.