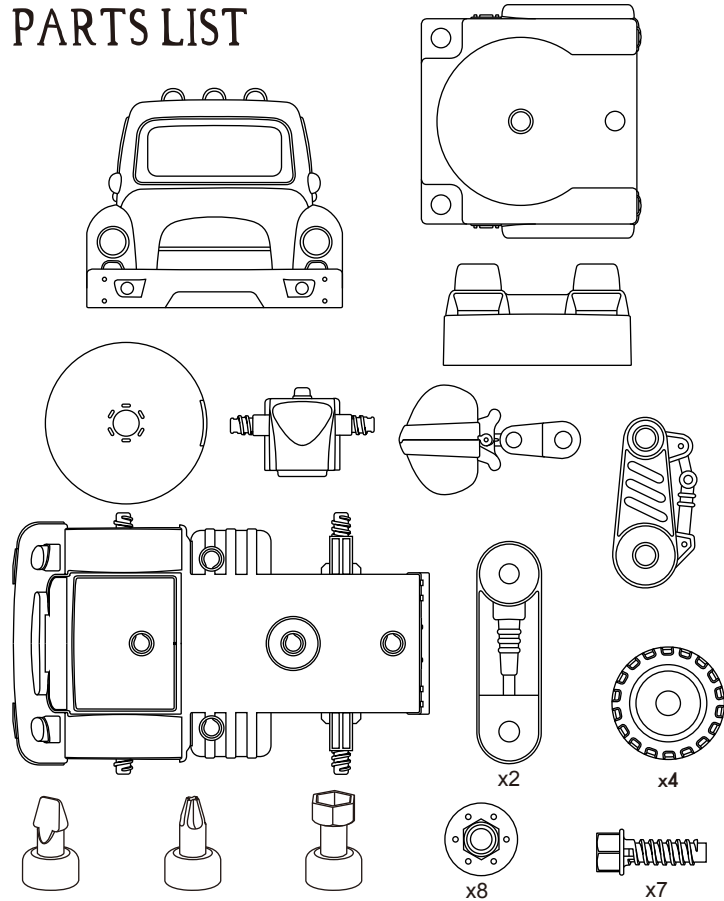


battat.

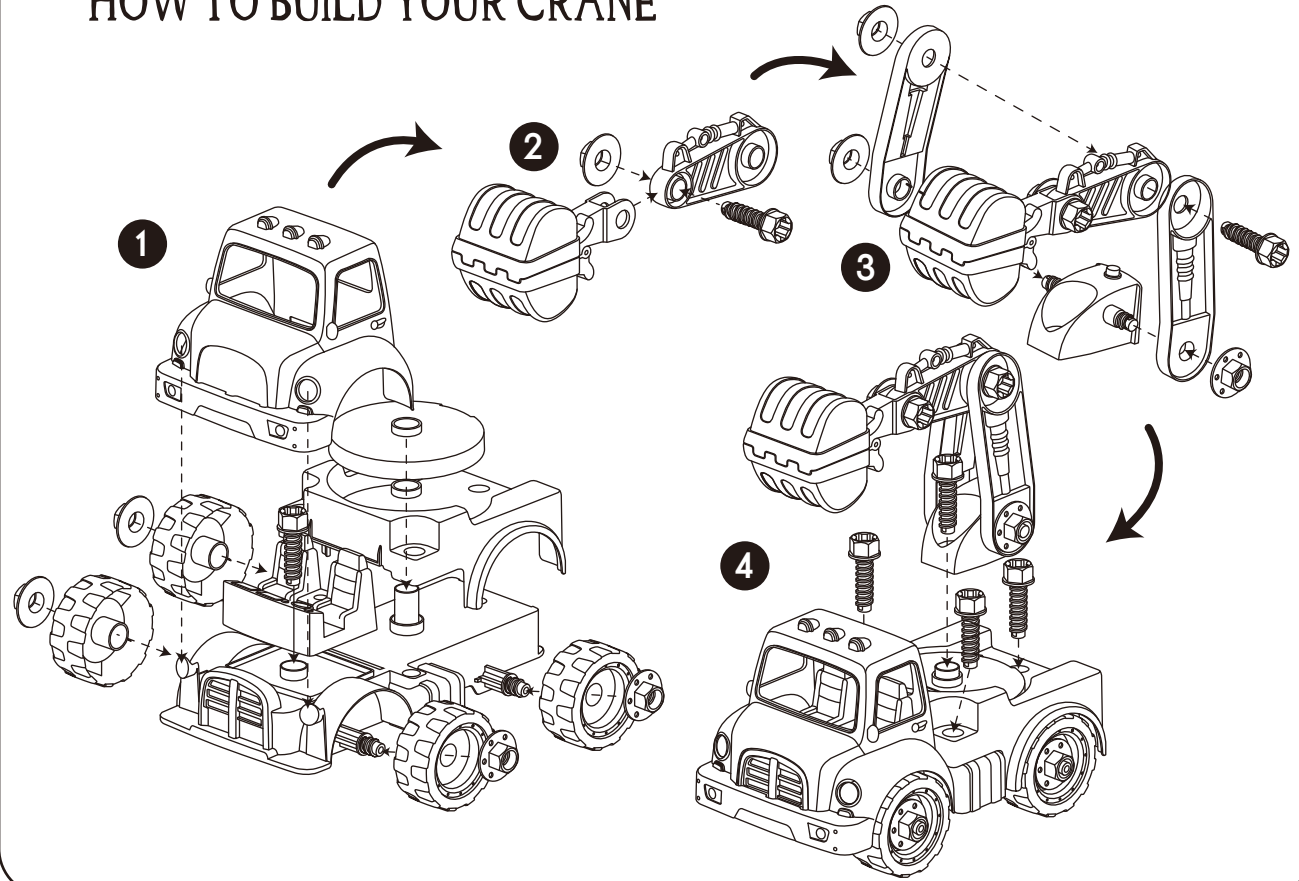
take-apart crane

TRANSPORT
3+ 33 pieces

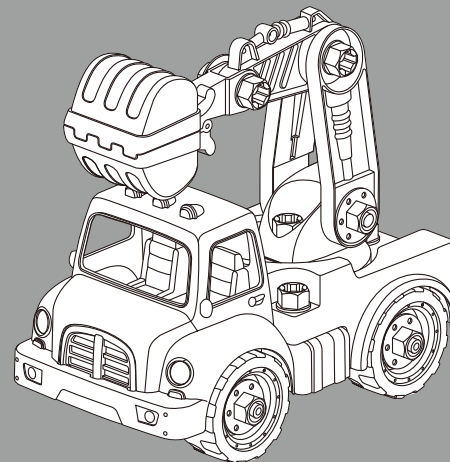
PARTS LIST



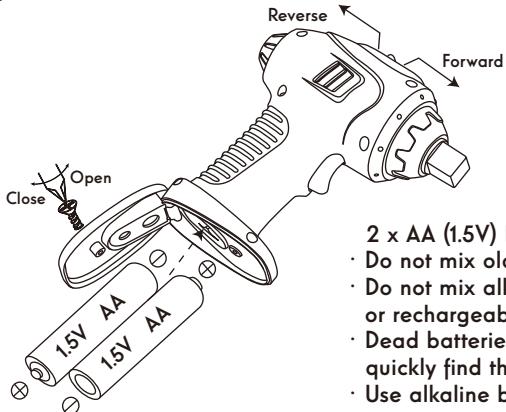
HOW TO BUILD YOUR CRANE



IT'S READY!



REPLACING BATTERIES



- 2 x AA (1.5V) BATTERIES NOT INCLUDED
- Do not mix old and new batteries.
 - Do not mix alkaline, standard(carbon-zinc), or rechargeable batteries.
 - Dead batteries? Check out earth911.com to quickly find the recycling center nearest you.
 - Use alkaline batteries for longer play time.

ATTENTION: When the module's functions lose performance, follow instructions carefully to install new batteries.

WARNING: Non-rechargeable batteries are not to be recharged. Rechargeable batteries are to be removed from the toy before being charged. Rechargeable batteries are only to be charged under adult supervision. Different types of batteries or new and used batteries are not to be mixed. Only batteries of the same equivalent type as recommended are to be used. Batteries are to be inserted with the correct polarity. Exhausted batteries are to be removed from the toy. The supply terminals are not to be short-circuited.

Please remove all packaging materials before giving to children.



BT2608