

battat®

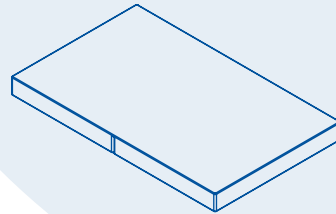
Childhood Is Magical!®

CLOUD CASTLE™ Foam Fort Building Set

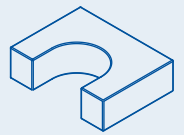


Scan QR code for video instructions

PARTS LIST



1 x foam base



1 x foam arch



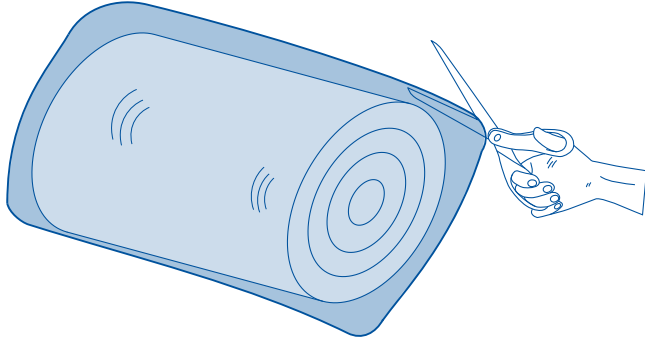
2 x foam stair



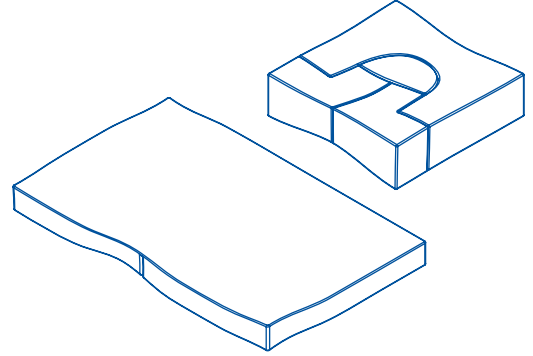
1 x foam half-sun

12
m+

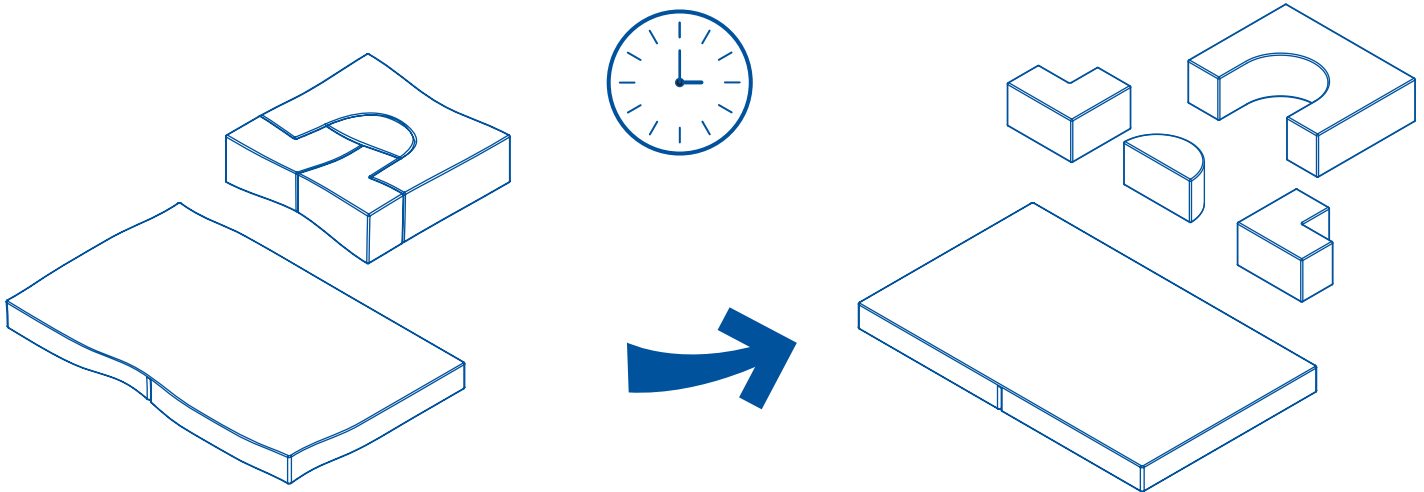
- 1** Cut open the packaging
CAUTION: Use scissors carefully to avoid cutting the shapes!



- 2** Foam shapes expands when opened



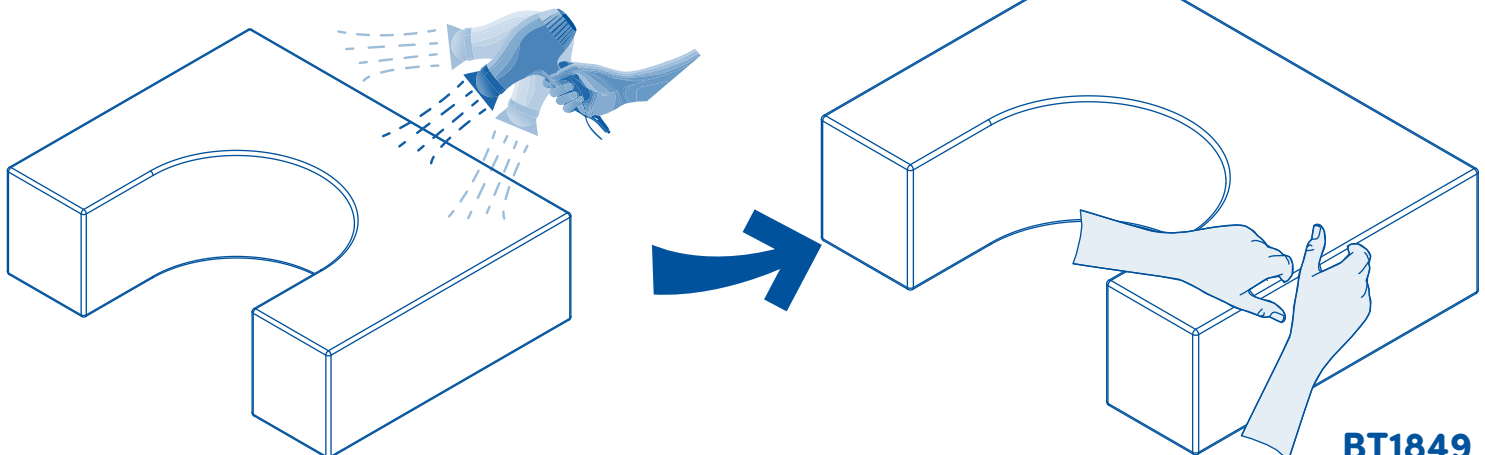
- 3** For the best results, leave the foam shapes to expand for at least 48 hours.



- 4 Reshaping:**
If the foam pieces do not achieve the desired shape after more than 48 hours, use a blow dryer (at a normal temperature) to correct the shapes.

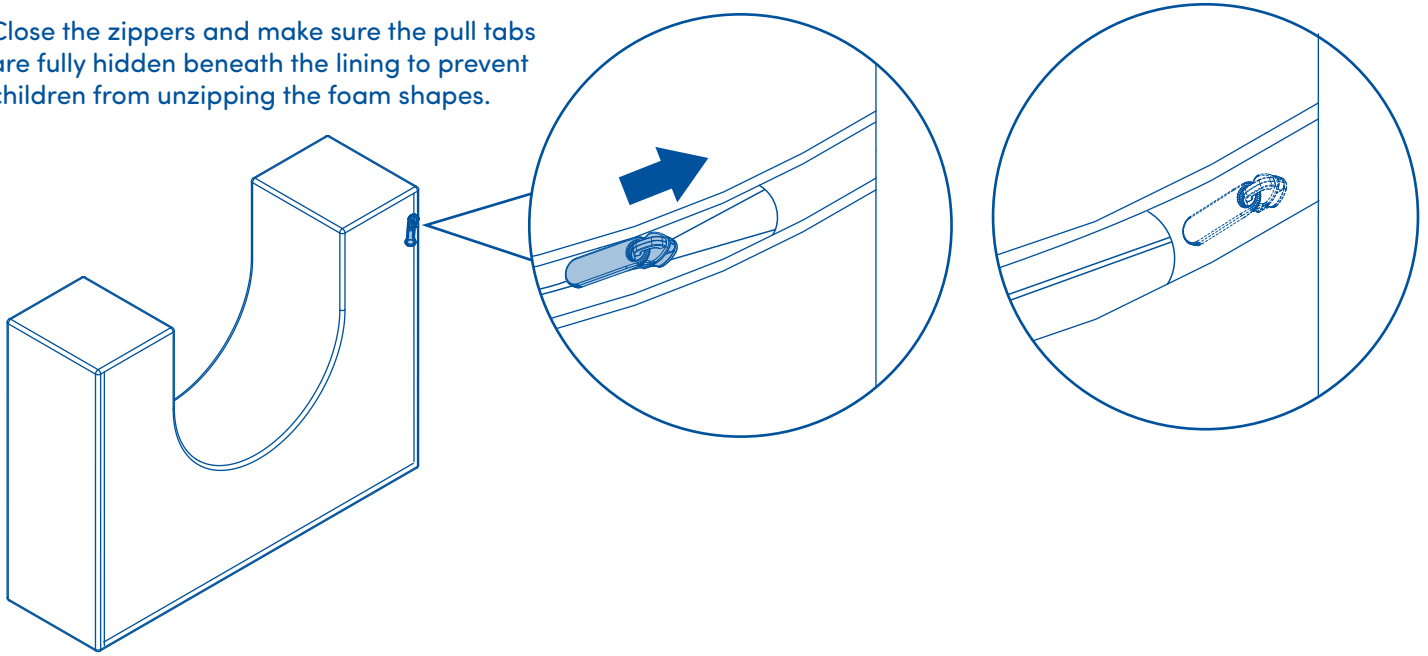
- Keep the blow dryer 4 inches (10cm) from the foam pieces
- Reshape the warmed foam pieces by hand

CAUTION: do not keep the blow dryer focused on one spot.
Be sure to move side to side.

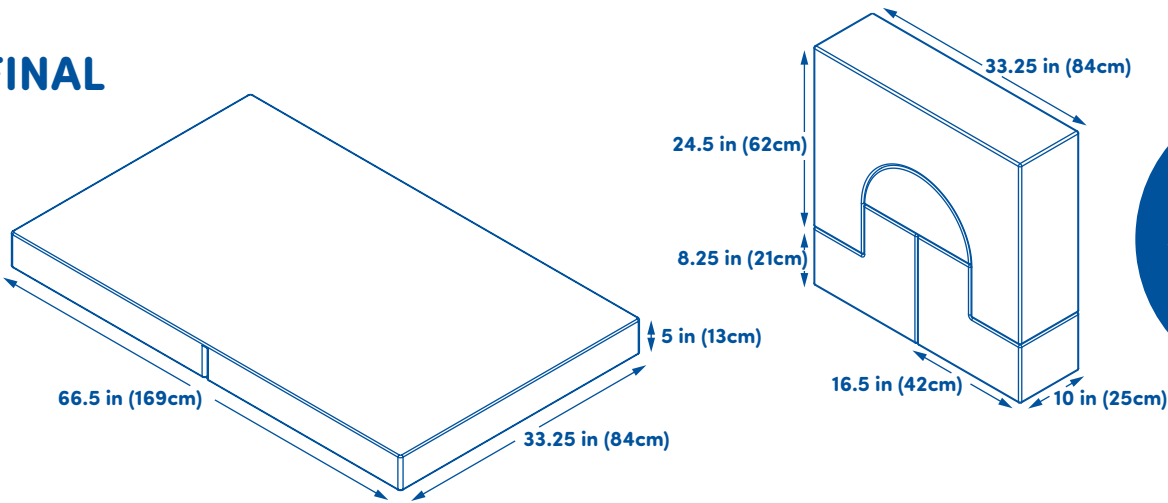


BT1849

- 5** Close the zippers and make sure the pull tabs are fully hidden beneath the lining to prevent children from unzipping the foam shapes.



FINAL



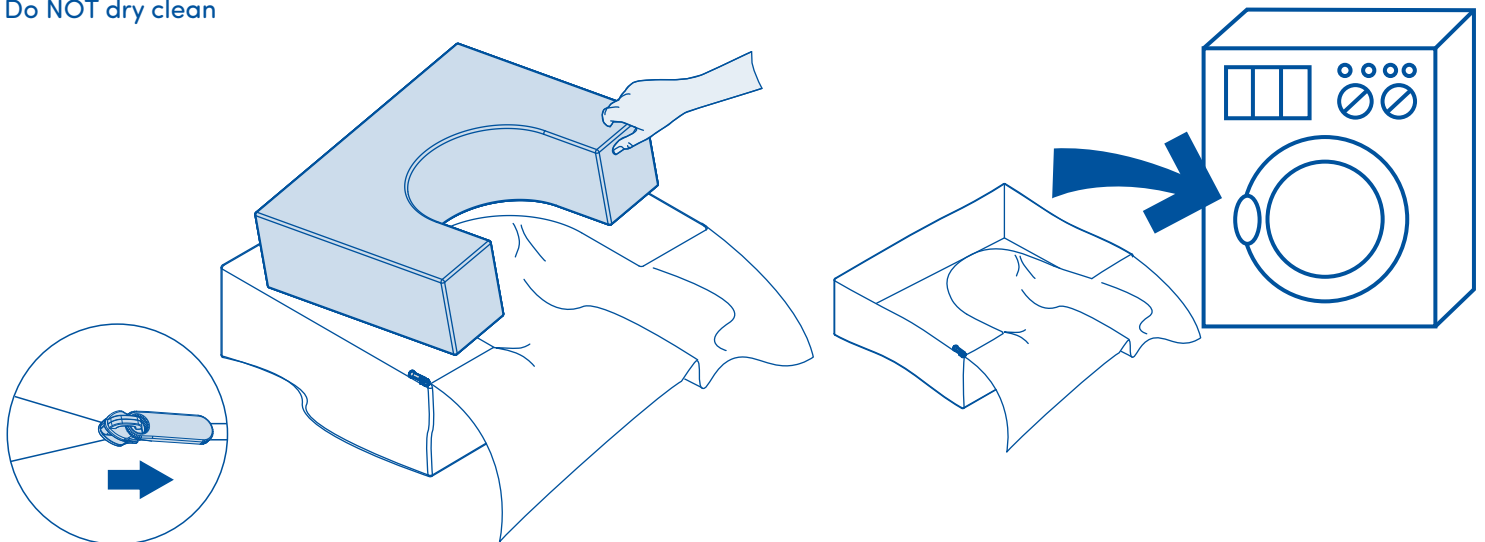
5
fun foam
shapes!

WASHING INSTRUCTIONS:

Remove the covers
Do NOT wash the foam shapes
Machine-wash at max. 30°C/86°F
Do NOT bleach
Tumble dry on low
Do NOT iron
Do NOT dry clean

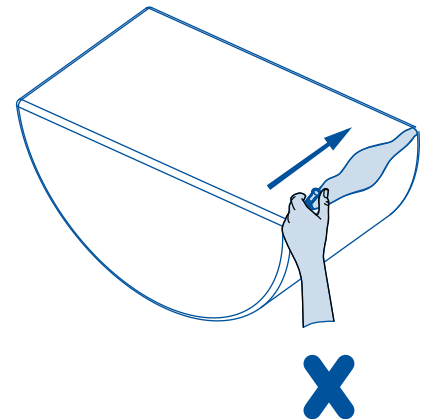
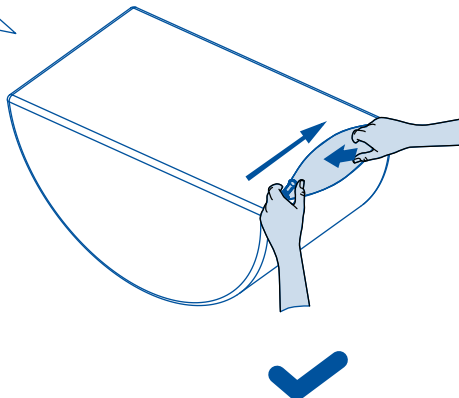
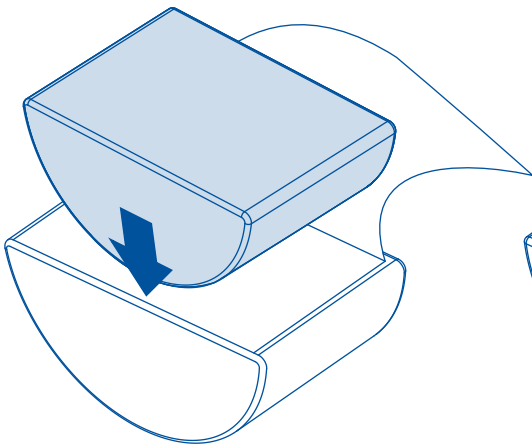
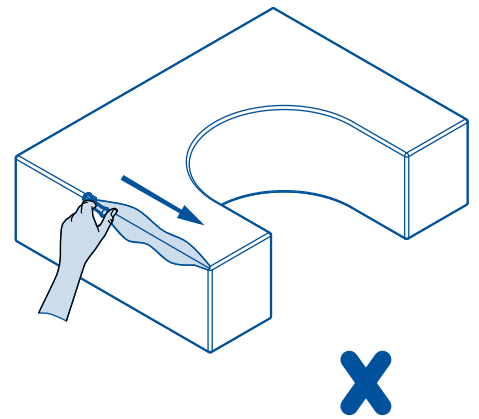
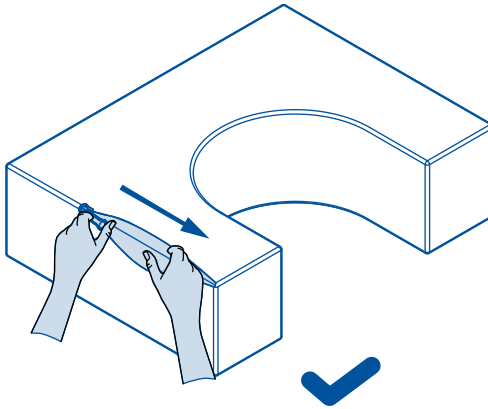
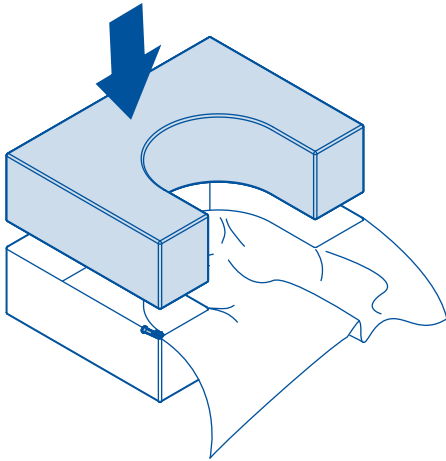
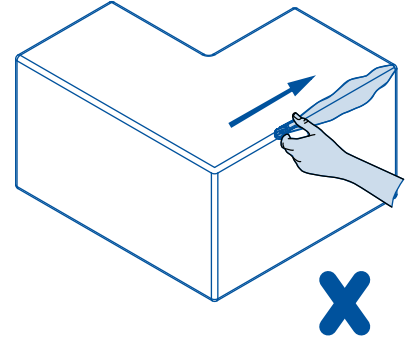
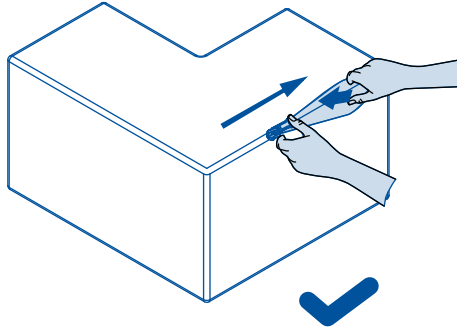
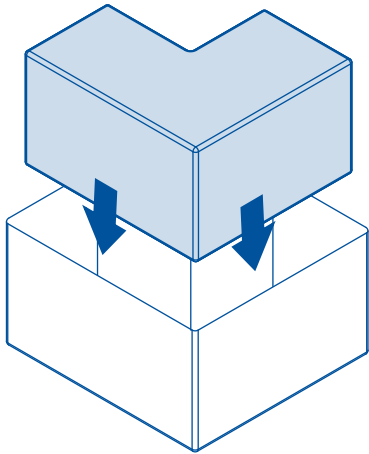
OPTIONS FOR WRINKLE REMOVAL:

- Wipe the cover with a damp washcloth and dry it with a blow dryer
- Iron the cover with a steam iron without direct contact (do NOT use a dry iron)
- For the best results, wash and dry the cover

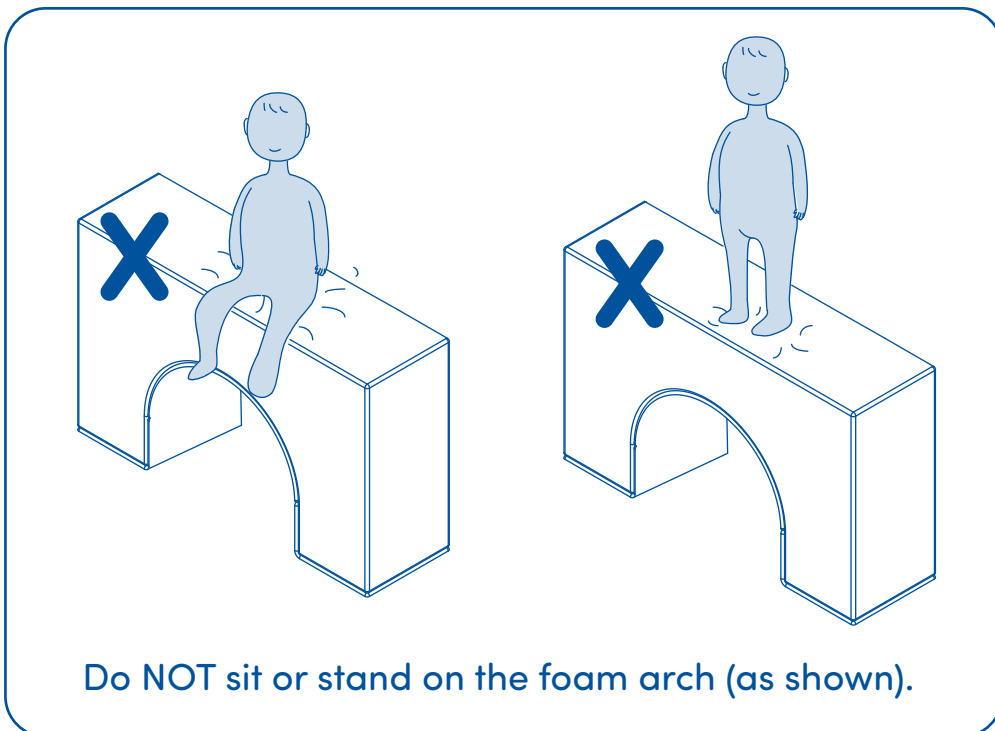
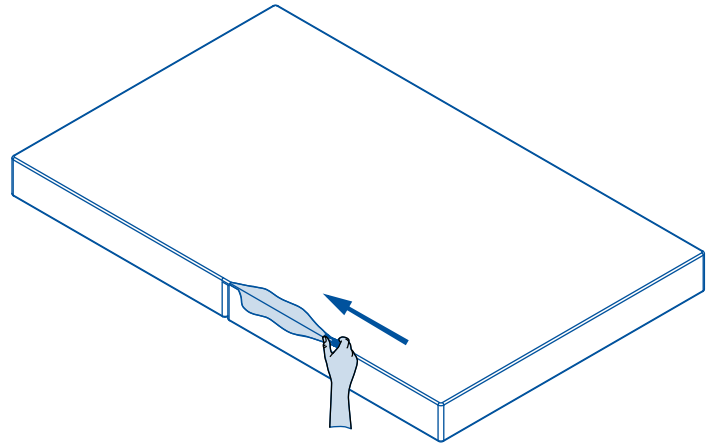
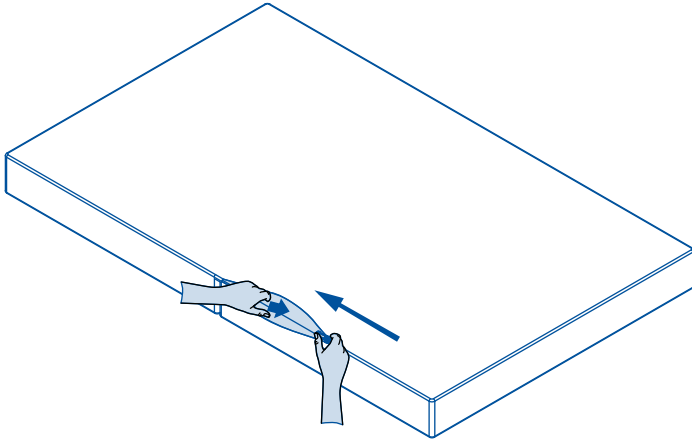
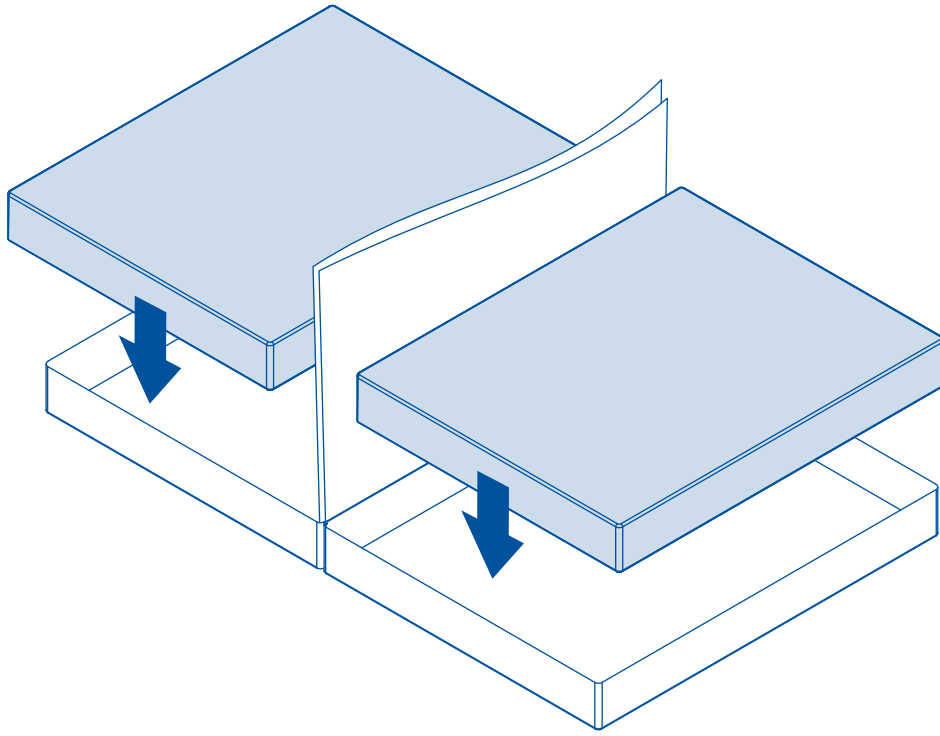


How to replace the covers after washing them:

When putting on a cover, pull on it with one hand and push the foam piece with the other. This helps when replacing a cover.



WARNING! Keep away from fire and heat sources to avoid permanent damage to the product.
Adult Assembly required.



© 2024 MAISON BATTAT INC.
Manufactured for Maison Battat Inc.
8440 Darnley Road, Montreal, P.Q. H4T 1M4
Designed by Maison Battat Inc.
Battat® is a registered
trademark of Maison Battat Inc.
Made In China.

All Battat® products meet all US standards.
Colors may vary.
Please retain this information for future reference.
Please remove all packaging materials
before giving to children.

BT1849