

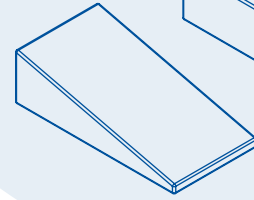
# battat®

Childhood Is Magical!®

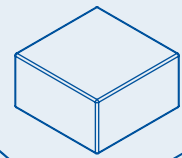
**SQUISHY STACK - CLIMBERS™**  
Foam Play Shapes



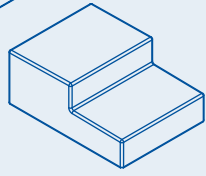
## PARTS LIST



1 x foam ramp



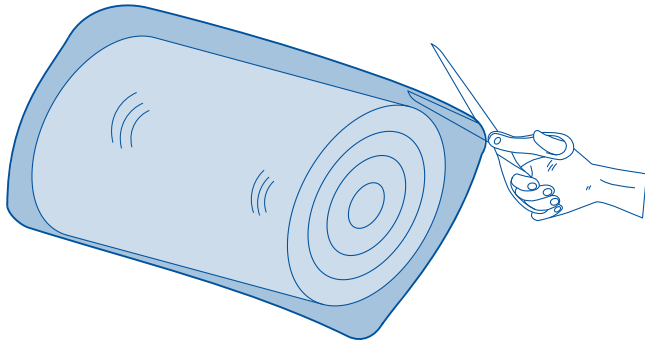
1 x foam block



1 x foam stair

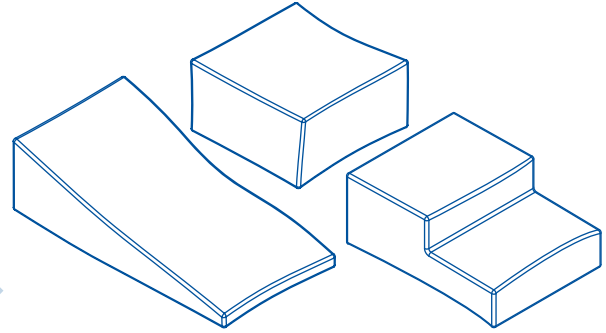
12  
m+

- 1** Cut open the packaging  
**CAUTION:** Use scissors carefully to avoid cutting the shapes!

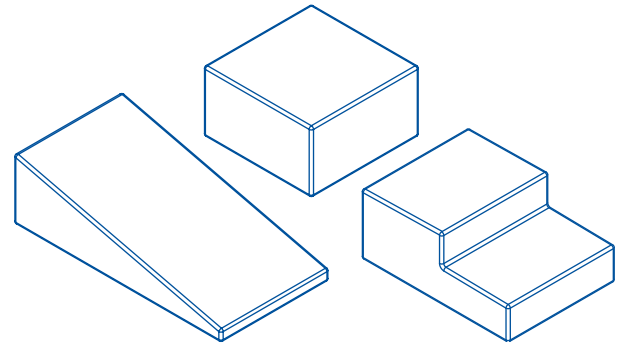
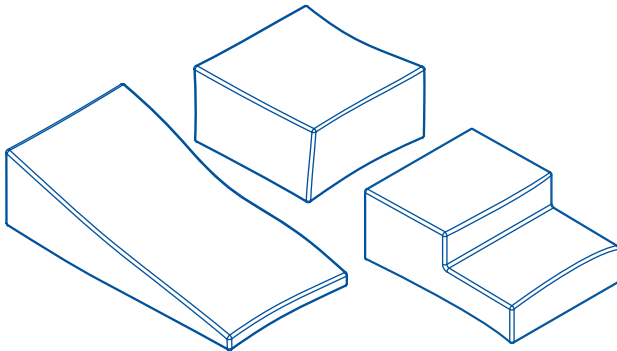


EXPANDS  
WHEN  
OPENED!

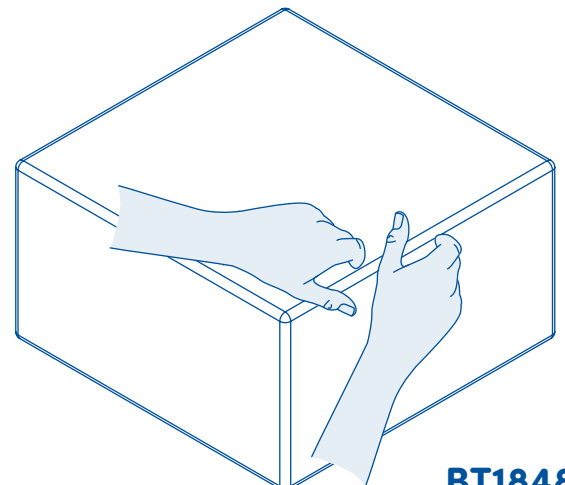
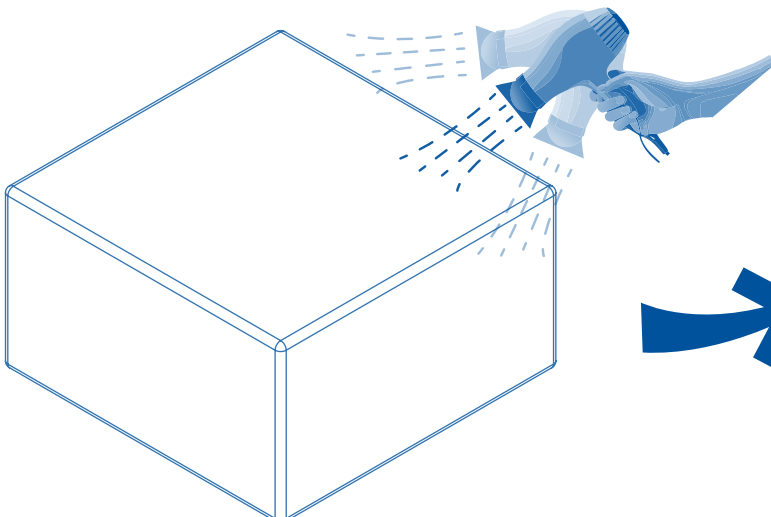
**2**



- 3** For the best results, leave the foam shapes to expand for at least 48 hours.

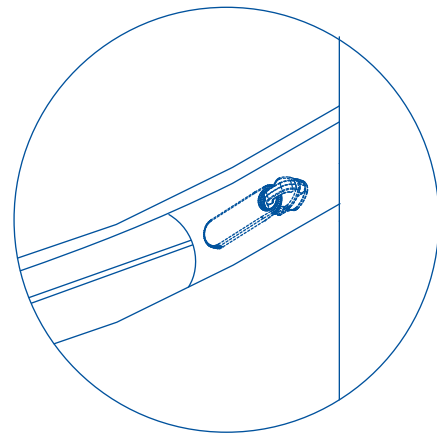
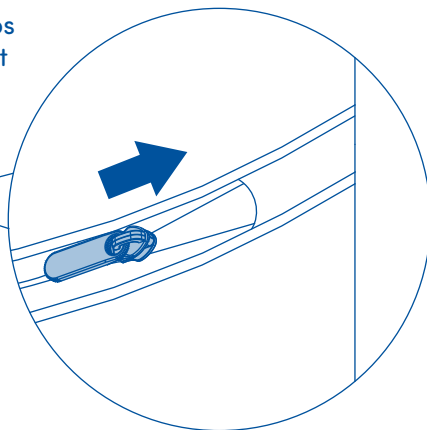
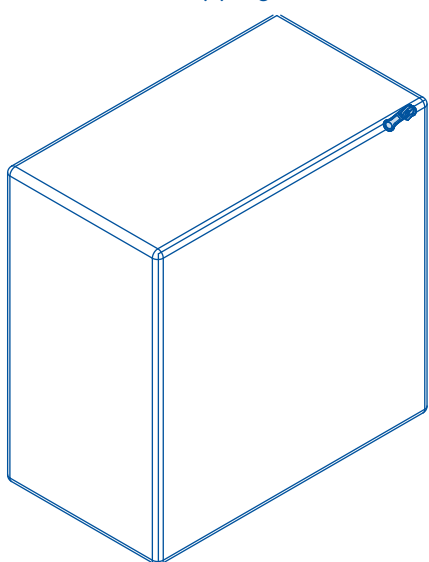


- 4 Reshaping:**  
If the foam pieces do not achieve the desired shape after more than 48 hours, use a blow dryer (at a normal temperature) to correct the shapes.
- Keep the blow dryer 2 inches (5cm) from the foam pieces
  - Reshape the warmed foam pieces by hand

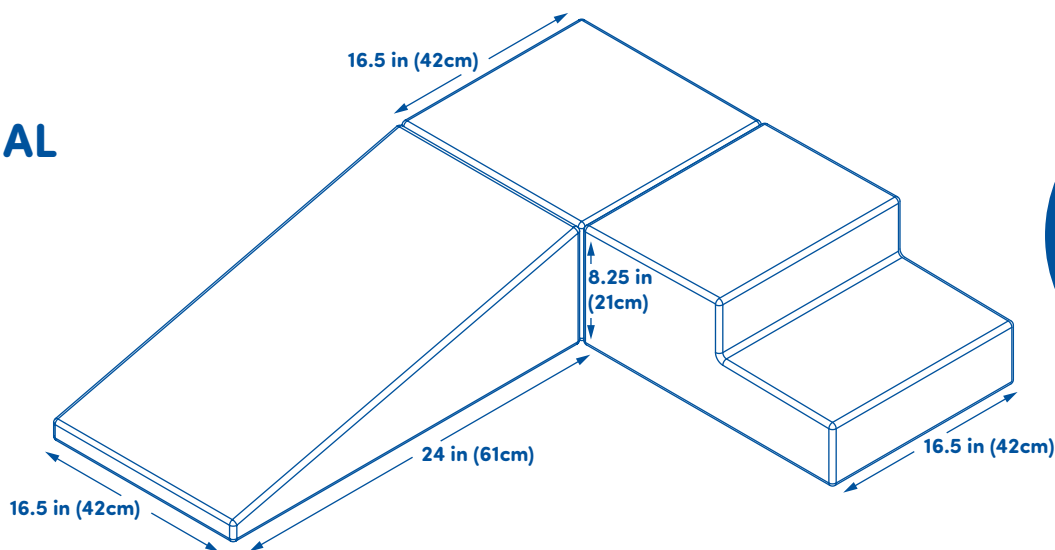


BT1848

- 5 Close the zippers and make sure the pull tabs are fully hidden beneath the lining to prevent children from unzipping the foam shapes.



## FINAL



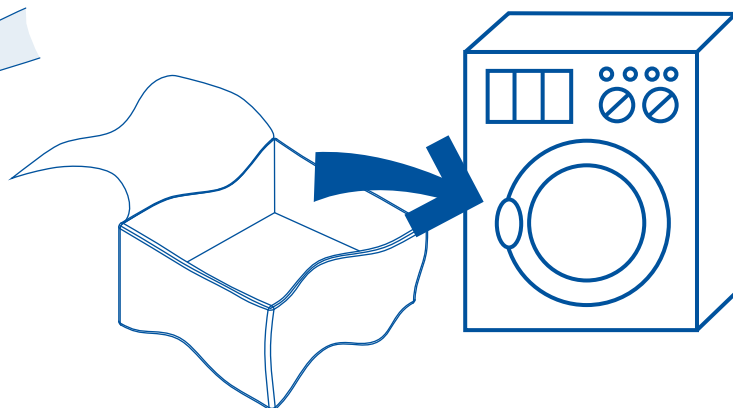
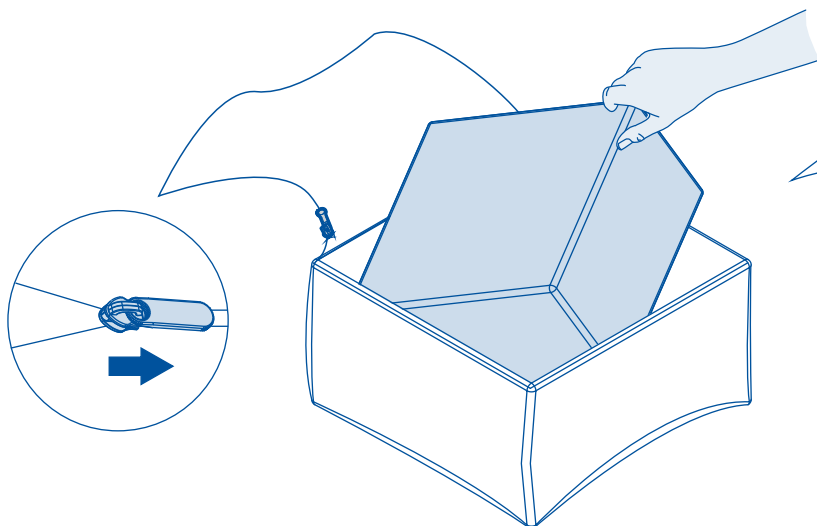
3  
fun foam  
shapes!

## WASHING INSTRUCTIONS:

Remove the covers  
Do NOT wash the foam shapes  
Machine-wash at max. 30°C/86°F  
Do NOT bleach  
Tumble dry on low  
Do NOT iron  
Do NOT dry clean

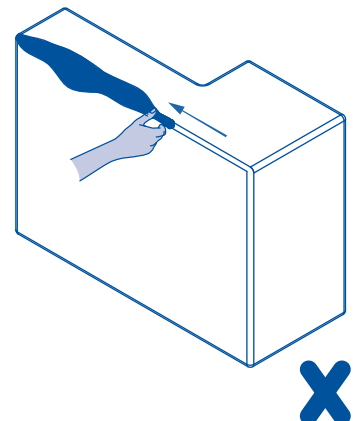
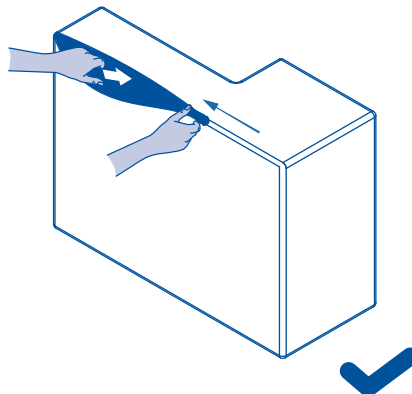
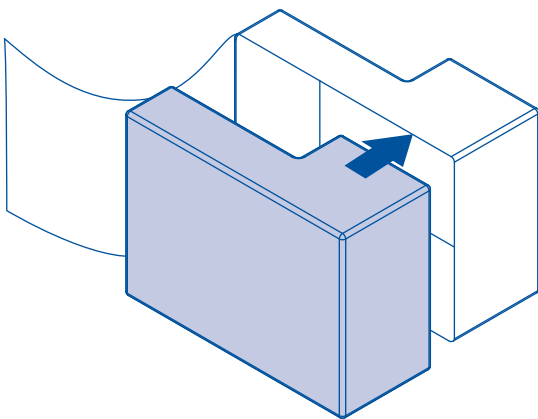
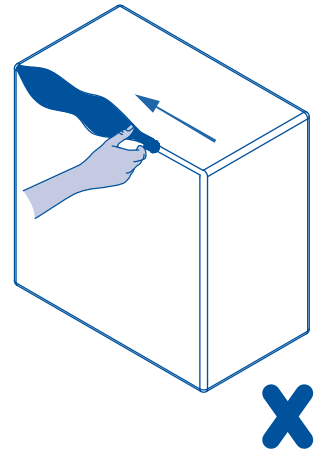
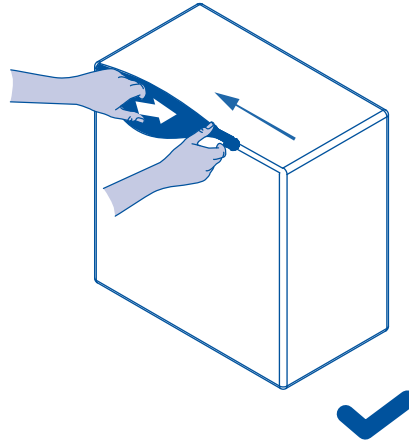
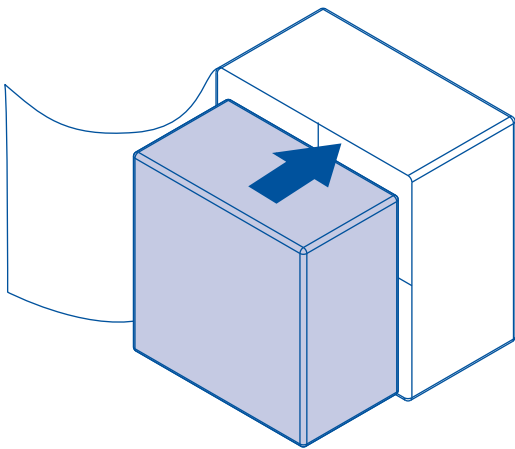
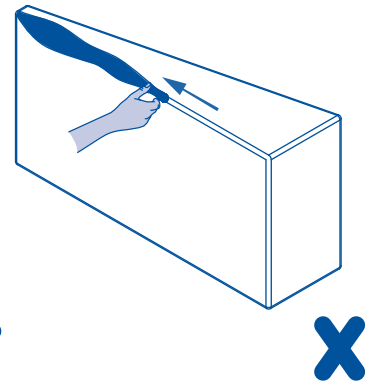
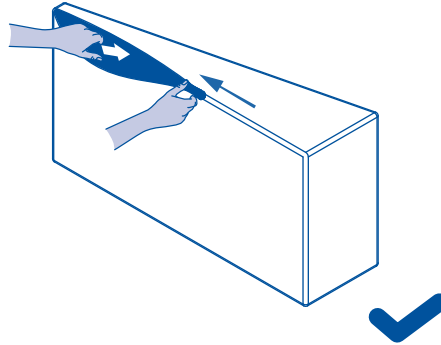
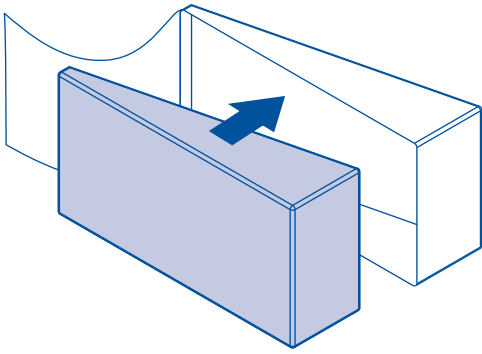
## OPTIONS FOR WRINKLE REMOVAL:

- Wipe the cover with a damp washcloth and dry it with a blow dryer
- Iron the cover with a steam iron without direct contact (do NOT use a dry iron)
- For the best results, wash and dry the cover



## How to replace the covers after washing them:

When putting on a cover, pull on it with one hand and push the foam piece with the other. This helps when replacing a cover.



**WARNING!** Keep away from fire and heat sources to avoid permanent damage to the product.  
Adult Assembly required.

© 2024 MAISON BATTAT INC.  
Manufactured for Maison Battat Inc.  
8440 Darnley Road, Montreal, P.Q. H4T 1M4  
Designed by Maison Battat Inc. Battat® is a registered trademark of Maison Battat Inc.  
Made In China.  
All Battat® products meet all US standards.  
Colors may vary.  
Please retain this information for future reference.  
Please remove all packaging materials before giving to children.

**BT1848**