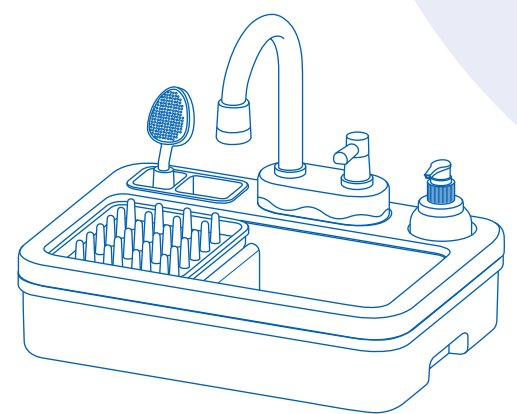
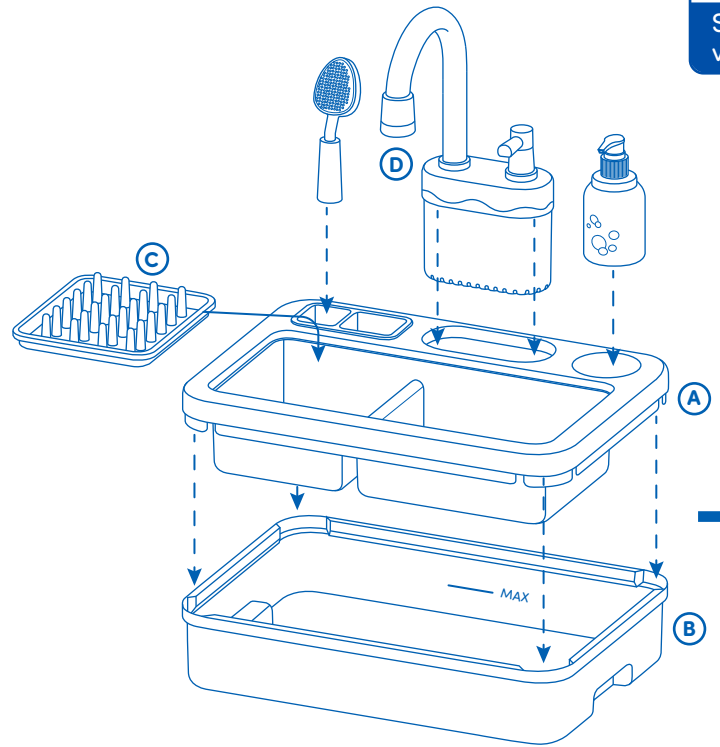





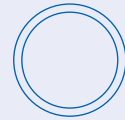




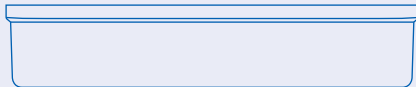

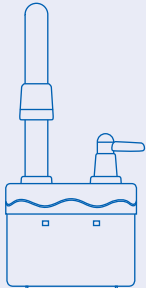
SPLASH & SPARKLE SINK™



3+



PARTS LIST

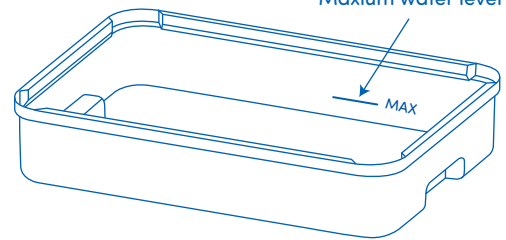
- 
Forks x2
 - 
Knives x2
 - 
Spoons x2
 - 
Plates x2
 - 
Cups x2
 - 
Brush x1
 - 
Pump dispenser x1
-
- 
A Sink top x1
 - 
B Sink Base x1
 - 
C Drying rack x1
 - 
D Faucet x1

WARNING:
CHOKING HAZARD—Small parts.
Not for children under 3 years.

IMPORTANT: Splash, scrub, and play with ONLY clean water.
Not to be used with real soap, food, paper, etc.

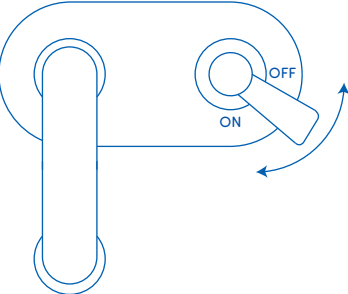
FUNCTIONS:

For the best performance, fill with water to the maximum level as indicated.

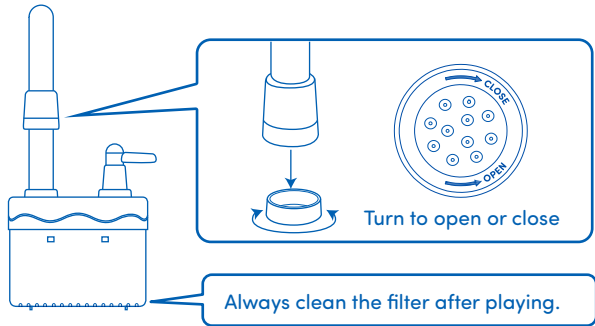


Maximum water level

Turn the faucet ON or OFF

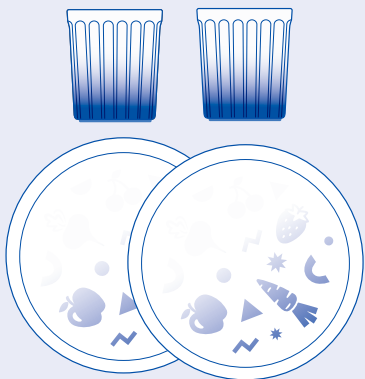


If the water flow is weak, remove the faucet cap, clean the filter with running water, and replace the cap (with the help of an adult).



Turn to open or close

Always clean the filter after playing.



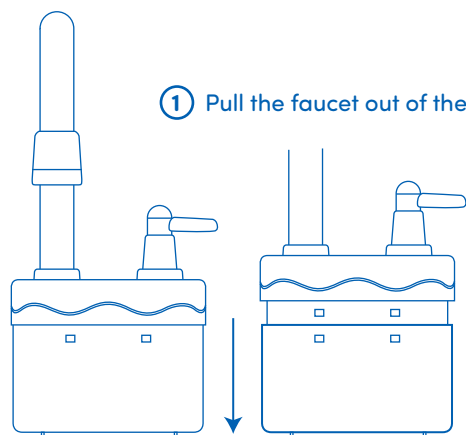
USER GUIDE

- Plates and cups feature color-changing action! Patterns on plates disappear and cups become translucent in warm water (approx. 98°F / 36.7°C). Dishes will return to their original state when cool. Adult supervision is required to ensure water is at a safe temperature.
- Splash, scrub, and play with **ONLY** clean water. Not to be used with real soap, food, paper, etc.

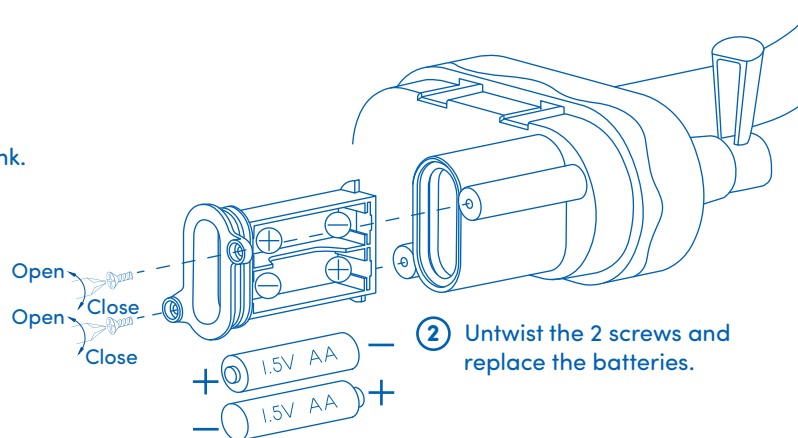
CLEANING INSTRUCTIONS

- After playtime, replace the water in the sink with clean water and turn on the faucet for 3 minutes to rinse the set. Then empty the water from the sink and turn on the faucet for another 2-3 minutes to drain any excess water.
- Wash the play dishes with clean water and a soft cloth. Do not use soap or a scouring pad. Do not use a dishwasher to clean the play dishes.

REPLACING BATTERIES



① Pull the faucet out of the sink.



② Untwist the 2 screws and replace the batteries.

CAN ICES-3 (B)/NMB-3(B)

Requires 2 x AA (1.5V). Batteries not included. Non-rechargeable batteries are not to be recharged. Rechargeable batteries are to be removed from the toy before being charged. Rechargeable batteries are only to be charged under adult supervision. Different types of batteries or new and used batteries are not to be mixed. Only batteries of the same or equivalent type as recommended are to be used. Batteries are to be inserted with the correct polarity. Exhausted batteries are to be removed from the toy. The supply terminals are not to be short-circuited.

ATTENTION: When the module's functions lose performance, follow instructions carefully to install new batteries.

This device complies with Part 15 of the FCC Rules. Operation is subject to the following two conditions: (1) this device may not cause harmful interference, and (2) this device must accept any interference received, including interference that may cause undesired operation. Warning: Changes or modifications to this unit not expressly approved by the party responsible for compliance could void the user's authority to operate the equipment.

NOTE: This equipment has been tested and found to comply with the limits for a Class B digital device, pursuant to Part 15 of the FCC Rules. These limits are designed to provide reasonable protection against harmful interference in a residential installation. This equipment generates, uses and can radiate radio frequency energy and, if not installed and used in accordance with the instructions, may cause harmful interference to radio communications. However, there is no guarantee that interference will not occur in a particular installation. If this equipment does cause harmful interference to radio or television reception, which can be determined by turning the equipment off and on, the user is encouraged to try to correct the interference by one or more of the following measures:

- Reorient or relocate the receiving antenna.
- Increase the separation between the equipment and receiver.
- Connect the equipment into an outlet on a circuit different from that to which the receiver is connected.
- Consult the dealer or an experienced radio/TV technician for help.

© 2024 MAISON BATTAT INC.
Manufactured for Maison Battat Inc.
8440 Darnley Road, Montreal, P.Q. H4T 1M4
Designed by Maison Battat Inc.

Battat® is a registered trademark of Maison Battat Inc.
Made in China.

All Battat® products meet all US safety standards.
Colors may vary. Please retain this information for future reference.
Please remove all packaging materials before giving to children.

ATTENTION: Clean toy thoroughly before use.



BT1805