

battat®

Childhood Is Magical!®

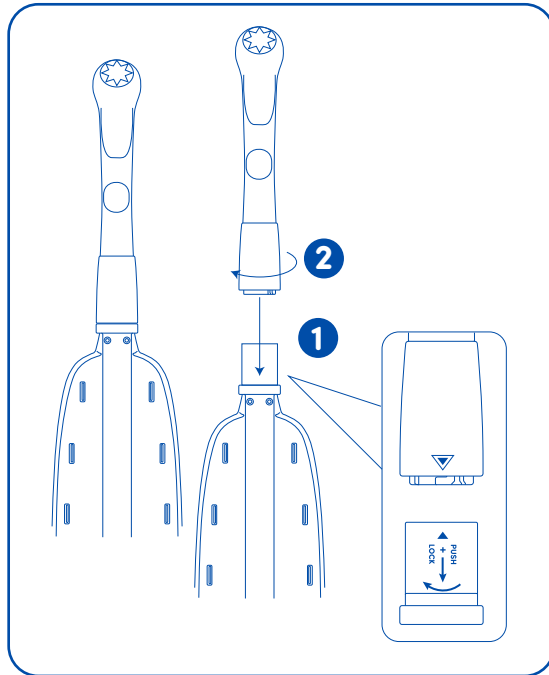
TIDY TOT VACUUM™

2+

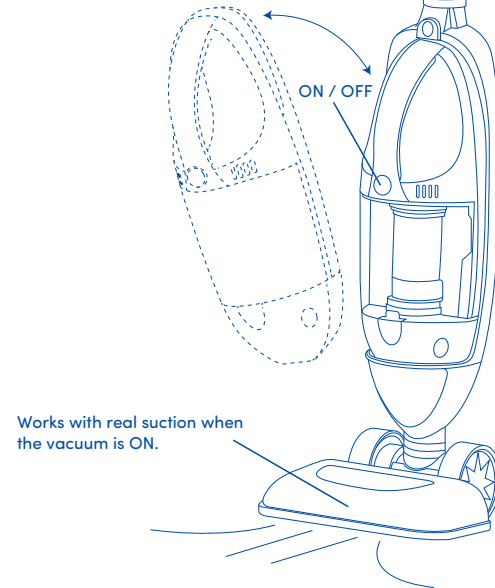
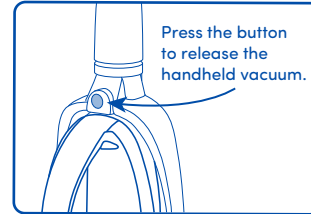
HANDLE ASSEMBLY

To connect the handle to the vacuum:

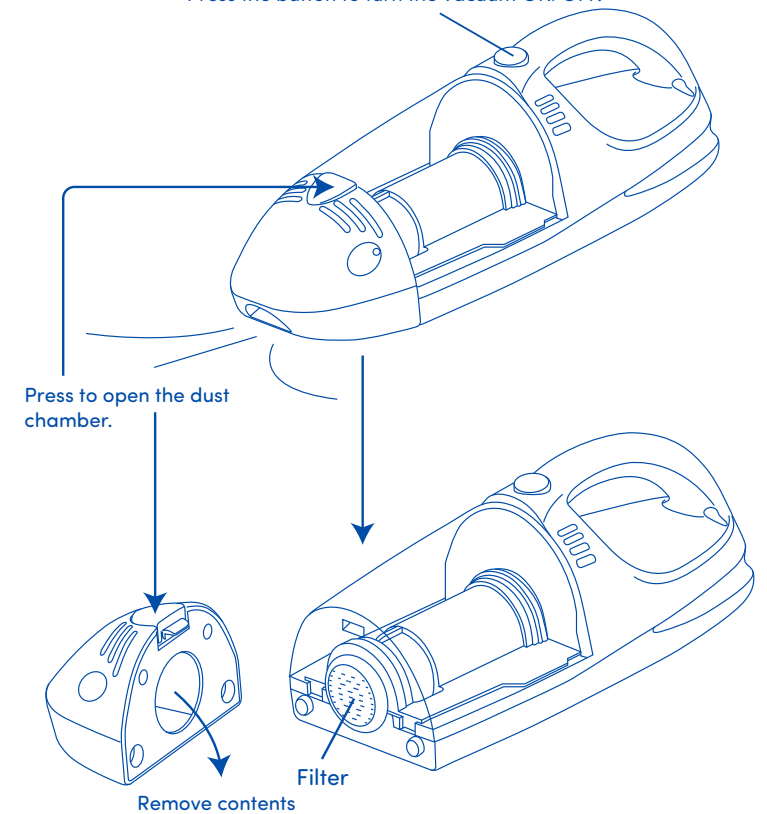
- 1 Line up the triangles
- 2 Push and turn clockwise to lock the handle.



FUNCTIONS:



Press the button to turn the vacuum ON/OFF.



Empty the dust chamber and clean the filter after playtime.

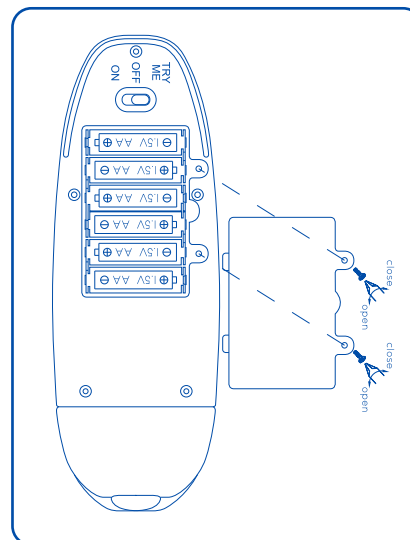
USER GUIDANCE

1. NOT intended for real cleaning. ONLY use the vacuum with small pieces of tissue paper.
2. Wipe the playing surface with a damp cloth.
3. When idle for 5 minutes, vacuum will automatically turn off.

NOTE: If beads get into the vent chamber, the motor may stall. Shake the handheld vacuum until the beads dislodge.

REPLACING BATTERIES

Requires 6 x AA (1.5V). Batteries included. Non-rechargeable batteries are not to be recharged. Rechargeable batteries are to be removed from the toy before being charged. Rechargeable batteries are only to be charged under adult supervision. Different types of batteries or new and used batteries are not to be mixed. Only batteries of the same or equivalent type as recommended are to be used. Batteries are to be inserted with the correct polarity. Exhausted batteries are to be removed from the toy. The supply terminals are not to be short-circuited. **ATTENTION:** When the module's functions lose performance, follow instructions carefully to install new batteries.



This device complies with Part 15 of the FCC Rules. Operation is subject to the following two conditions: (1) this device may not cause harmful interference, and (2) this device must accept any interference received, including interference that may cause undesired operation. Warning: Changes or modifications to this unit not expressly approved by the party responsible for compliance could void the user's authority to operate the equipment. NOTE: This equipment has been tested and found to comply with the limits for a Class B digital device, pursuant to Part 15 of the FCC Rules. These limits are designed to provide reasonable protection against harmful interference in a residential installation. This equipment generates, uses and can radiate radio frequency energy and, if not installed and used in accordance with the instructions, may cause harmful interference to radio communications. However, there is no guarantee that interference will not occur in a particular installation. If this equipment does cause harmful interference to radio or television reception, which can be determined by turning the equipment off and on, the user is encouraged to try to correct the interference by one or more of the following measures: • Reorient or relocate the receiving antenna. • Increase the separation between the equipment and receiver. • Connect the equipment into an outlet on a circuit different from that to which the receiver is connected. • Consult the dealer or an experienced radio/TV technician for help.

Waste electrical products and old batteries should not be disposed with household waste. Help protect the environment by reusing & recycling. Check with your local authority or retailer for recycling advice.

© 2024 MAISON BATTAT INC.

Manufactured for Maison Battat Inc. 8440 Darnley Road, Montreal, P.Q. H4T 1M4
Designed by Maison Battat Inc. Battat® is a registered trademark of
Maison Battat Inc. Made in China. All Battat® products meet all US safety
standards. Colors may vary. Please retain this information for future reference.
Please remove all packaging materials before giving to children.



CAN ICES-3 (B)/NMB-3(B)

BT1804